

Product information
EMC-HD



Electromechanical Cylinder EMC-HD

Electromechanical Cylinder – Heavy Duty (EMC-HD)

Key data EMC-HD:

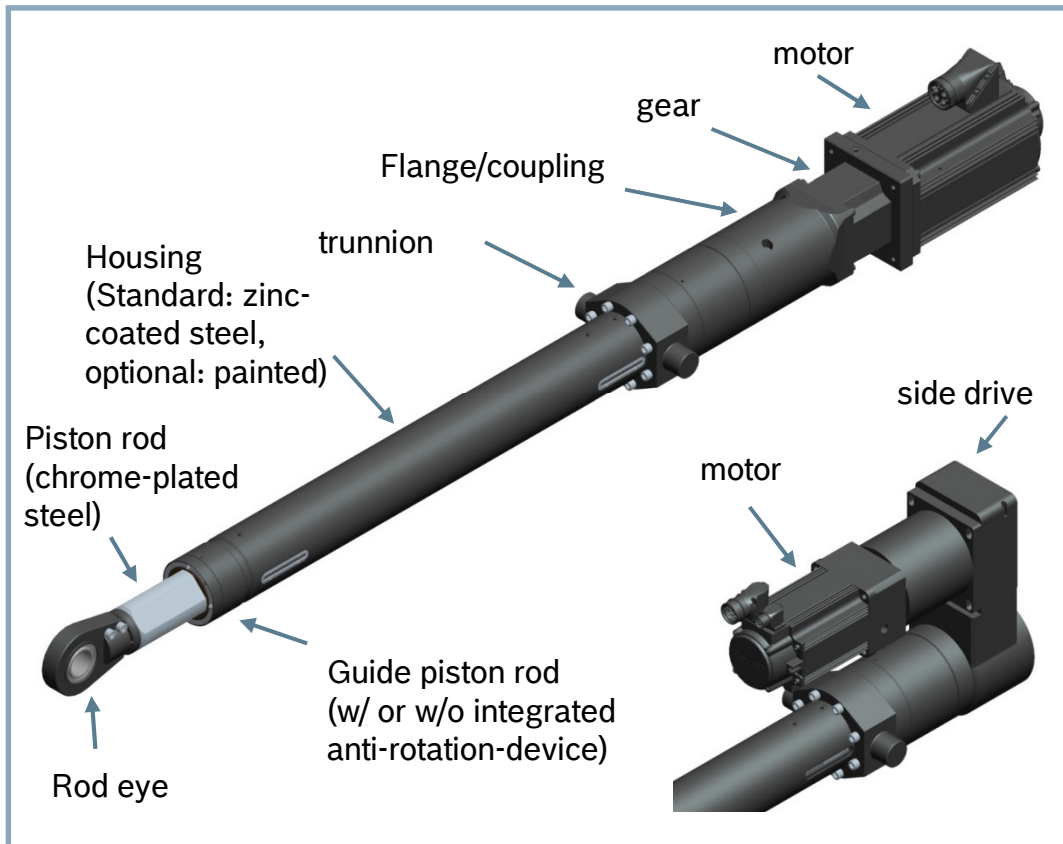
- Electromechanical Cylinder EMC-HD available with ball or planetary roller screw drive
- Five sizes (housing diameter 85 – 180mm)
- Dyn. Load rating (Cdyn): 50 – 470kN
- Maximum thrust force up to ~ 290kN
- Maximum velocity up to 1m/s
- Maximum stroke up to 1700mm (depending on size)
- Repeatability from $\pm 5\mu\text{m}$ to $\pm 30\mu\text{m}$
 - w/o additional length measurement system
- Capable of operating in temperatures from -10°C to 60°C . Special options to accommodate operations at -30°C (electrical systems not taken into account)
- Protection class IP65 (as standard)
- Integrated anti-rotation device available on request
- With servo motors MSK (third party motors possible)



In addition to the actuator, Rexroth can provide motors, drives and guideways as a complete system solution.

Electromechanical Cylinder EMC-HD

Design



With integrated planetary or ball screw drive

Planetary screw drive for high power density and long lifetime

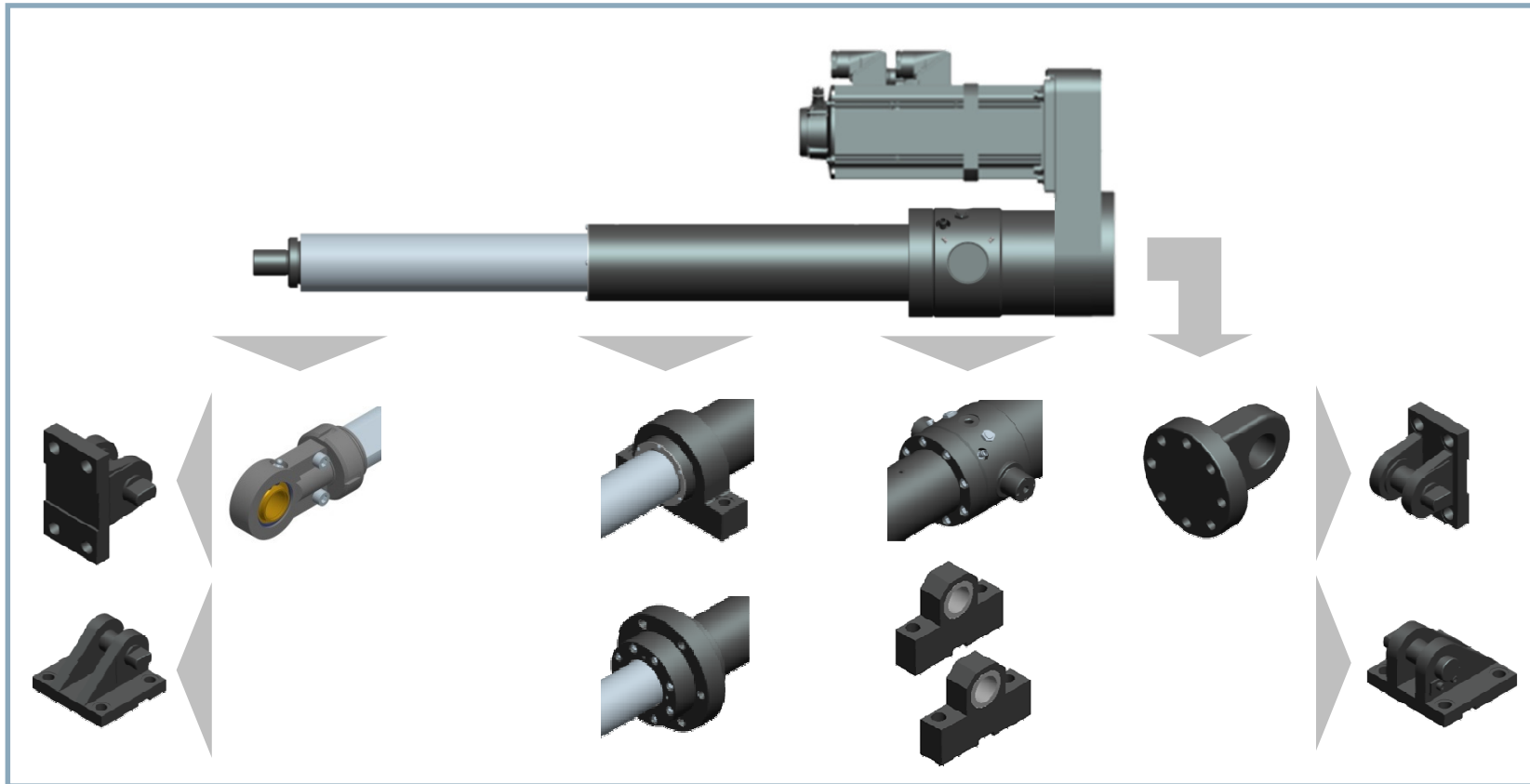


Ball screw drive for high dynamics



Electromechanical Cylinder EMC-HD

Mounting types



Electromechanical Cylinder EMC-HD

Technical Data

	EMC-HD85				EMC-HD105				EMC-HD125				EMC-HD150			EMC-HD180	
Development step	Step 1				Step 2				Step 1				Step 2			Step 2	
Screw drive ¹⁾	PLSA		BSA		PLSA		BSA		PLSA		BSA		PLSA		BSA	PLSA	
Diameter x lead [mm]	30x5	30x10	40x10	40x20	39x5	39x10	50x10	50x20	48x5	48x10	63x10	63x20	60x10	60x20	80x20	75x10	75x20
Dynamic load rating C _{dyn} [kN]	87	98	72	95					188	211	88	130					
Max. feed force [kN]	44	44	44	38					95	110	82	75					
Max. velocity [m/s]	0,42	0,83	0,63	1,00					0,26	0,52	0,40	0,80					
Max. stroke [mm]	700				1000				1200				1500			1700	

¹⁾ PLSA: Planetary screw assembly, BSA: Ball screw assembly

All technical data could be subject to changes!

Electromechanical Cylinder EMC-HD

Areas of Application

- Servo presses and forming technology
- Joining Technology
- Thermoforming
- Injection moulding and blow moulding machines
- Wood working machines
- Machine tool industry
- Assembly and handling machines
- Packaging and conveyer system
- Special purpose machines
- Testing technology
- Simulators
- ...

