

Inverted tooth chain drives ► Inverted tooth chain drive, HPC series

## HPC series






Brochure

**Rexroth**  
Pneumatics



Inverted tooth chain drives ▶ Inverted tooth chain drive, HPC series

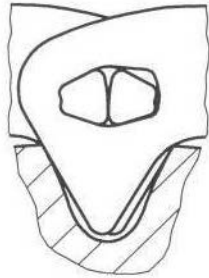
**HPC series**

	Inverted tooth chain drive, Series HPC ▶ 3/8" pitch = 9.525 mm	3
	Inverted tooth chain drive, Series HPC ▶ 1/2" pitch = 12.7 mm	5
	Inverted tooth chain drive, Series HPC ▶ 3/4" pitch = 19.05 mm	7
	Inverted tooth chain drive, Series HPC ▶ 1" pitch = 25.4 mm	9
	Inverted tooth chain drive, Series HPC ▶ 1 1/2" pitch = 38.1 mm	11

## Inverted tooth chain drives ▶ Inverted tooth chain drive, HPC series

### Inverted tooth chain drive, Series HPC

▶ 3/8" pitch = 9.525 mm



23044

Types of guides

Standard delivery

Number of links

Lubrication

Minimum number of teeth for the sprockets

Center guide

Side guide

open, with splint pin lock  
overall width  $bg + 2$  mm

Number of links equal to number of pitches.

For circulating chains, an even number of links must be used.

Uneven numbers of links are permitted only if the ends of the chain are connected to external parts.

Pay attention to correct lubrication.

17 teeth

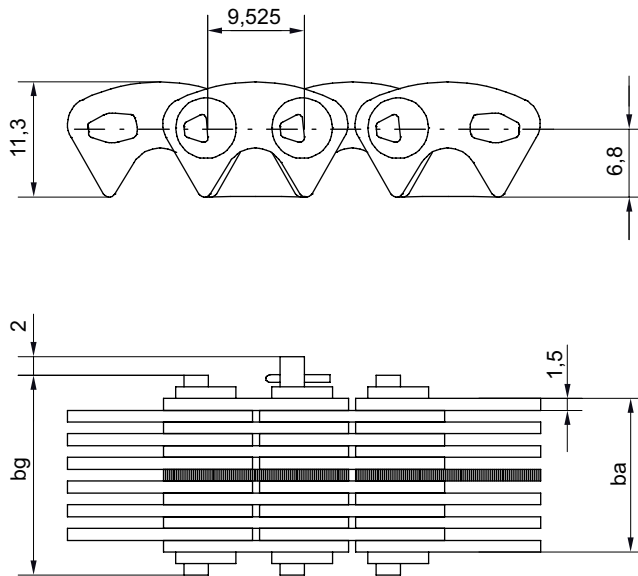
from 1 m/s  $\geq$  23 teeth

Further information can be found in the operating instructions.

#### Ordering information

- Please contact our sales department with the selected drawing number: [toothchain@aventics.com](mailto:toothchain@aventics.com). You will require approval for your initial selection.
- Other delivery types and nominal widths on request.

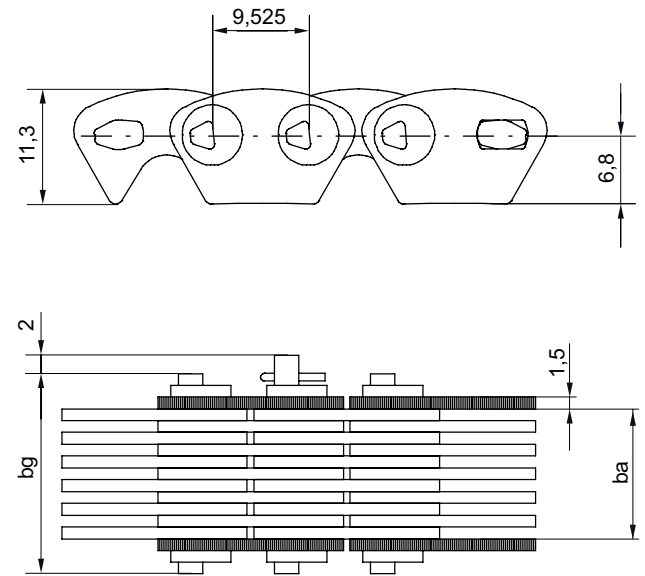
#### Dimensions in mm, Center guide



23059

Drawing as an example for a single center guide standard tooth chain.

#### Side guide



23058

Drawing as an example for a single side guide standard tooth chain.

Nominal width	Number of rows	Guide	Lock type	Working width $ba$	Total width $bg$	Designation	Drawing number			Rivet pin lock	Splint pin lock	Note
[mm]				[mm]	[mm]			[kg]	[mm]			
11	7	side	riveted	7.8	15.2	HPC 011 A	R418009005	0.69	7	–	R418009004	–
12	8	side	riveted	9.4	16.7	HPC 012 A	R418006930	0.77	8.5	–	R418006927	–
15	10	side	riveted	12.5	19.9	HPC 015 A	R418004561	0.94	11.5	–	R418004558	–
19	13	side	riveted directly	17.2	21.5	HPC 019 A	R418008941	1.08	16	–	–	1)

1) endless

Number of rows = number of all links per joint

## Inverted tooth chain drive, Series HPC

► 3/8" pitch = 9.525 mm

Nominal width	Number of rows	Guide	Lock type	Working width ba	Total width bg	Designation	Drawing number			Rivet pin lock	Splint pin lock	Note
[mm]				[mm]	[mm]			[kg]	[mm]			
20	13	side center	riveted	17.2	24.5	HPC 020 A	R418004566	1.2	16	-	R418004563	-
				20.3		HPC 020	R418012256	1.18	25			
25	17	side side center	riveted	23.5	30.8	HPC 025 A	R418012064	1.54	22	-	R418004600	-
				23.5		HPC 025 A	R418014683	1.54	22		-	1)
				26.6		HPC 025	R418004603	1.52	30		R418004600	-
30	21	center	riveted	32.9	37.1	HPC 030	R418004597	1.86	35	-	R418004593	-
35	23	side	riveted	32.9	40.2	HPC 035 A	R418004592	2.06	31.5	-	R418004594	-
40	25	center	riveted	39.1	43.3	HPC 040	R418004590	2.2	45	-	R418004587	-
45	29	side center	riveted directly	42.3	47.6	HPC 045 A	R418006532	2.51	40.5	-	-	1)
			riveted	45.4		HPC 045	R418008331	2.54	50		R418008330	-
48	31	side	riveted directly	45.4	50.7	HPC 048 A	R418013128	2.68	43	-	-	1)
50	33	center	riveted	51.6	55.8	HPC 050	R418004585	2.88	55	-	R418004582	-
65	41	center	riveted	64.2	68.4	HPC 065	R418004580	3.56	70	-	R418004576	-
75	49	center	riveted	76.7	80.9	HPC 075	R418004570	4.24	80	-	R418004567	-
100	65	center	riveted	101.7	105.9	HPC 0100	R418010238	5.59	105	-	R418010237	-

1) endless

Number of rows = number of all links per joint

## Inverted tooth chain drives ▶ Inverted tooth chain drive, HPC series

### Inverted tooth chain drive, Series HPC

▶ 1/2" pitch = 12.7 mm



23044

Types of guides

Standard delivery

Number of links

Lubrication

Minimum number of teeth for the sprockets

Center guide

Side guide

open, with splint pin lock  
overall width  $bg + 2,5$  mm

Number of links equal to number of pitches.

For circulating chains, an even number of links must be used.

Uneven numbers of links are permitted only if the ends of the chain are connected to external parts.

Pay attention to correct lubrication.

17 teeth

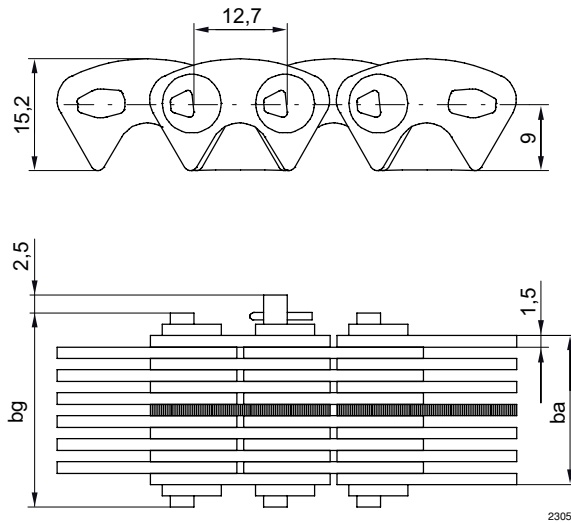
from 1 m/s  $\geq$  23 teeth

Further information can be found in the operating instructions.

#### Ordering information

- Please contact our sales department with the selected drawing number: [toothchain@aventics.com](mailto:toothchain@aventics.com). You will require approval for your initial selection.
- Other delivery types and nominal widths on request.

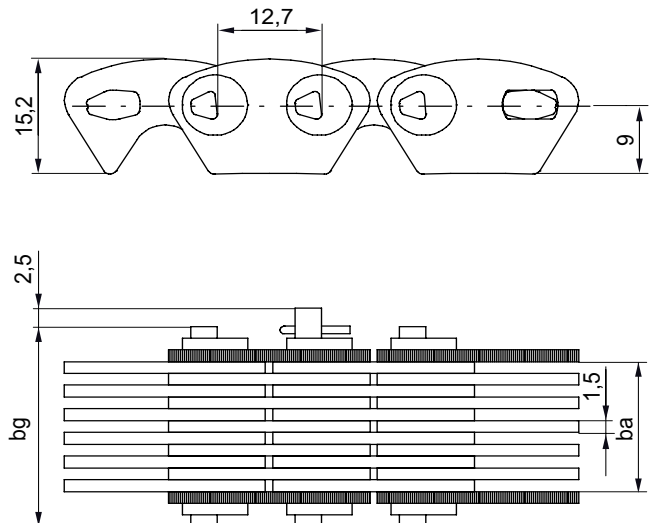
#### Dimensions in mm, Center guide



23057

Drawing as an example for a single center guide standard tooth chain.

#### Side guide



23056

Drawing as an example for a single side guide standard tooth chain.

Nominal width	Number of rows	Guide	Lock type	Working width ba	Total width bg	Designation	Drawing number			Rivet pin lock	Splint pin lock	Note
[mm]				[mm]	[mm]			[kg]	[mm]			
15	10	side	riveted	12.5	21.7	HPC 315 A	R418000478	1.24	11.5	–	R418014065	–
20	13	side center	riveted	17.2 20.3	26.3	HPC 320 A HPC 320	R418000476 R418000466	1.56 1.54	16 25	–	R418002171	–
22	16	side	riveted	21.9	31	HPC 322 A	R418000792	1.89	20.5	–	R418014337	–

1) endless  
2) doubled center guide  
Number of rows = number of all links per joint

## Inverted tooth chain drive, Series HPC

► 1/2" pitch = 12.7 mm

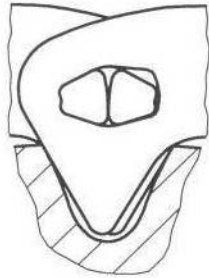
Nominal width	Number of rows	Guide	Lock type	Working width ba	Total width bg	Designation	Drawing number			Rivet pin lock	Splint pin lock	Note
[mm]				[mm]	[mm]			[kg]	[mm]			
25	17	side	riveted directly	23.5	28.6	HPC 325 A	R418009668	1.83	22	–	–	1)
		side	riveted	23.5	32.6	HPC 325 A	R418001757	2	22	–	R418001757	–
		center	riveted	26.6	32.6	HPC 325	R418000467	1.97	30	R418002358	R418001757	–
26	18	side	riveted	25	34.2	HPC 326 A	R418000477	2.1	23.5	–	–	–
29	19	center	riveted	29.7	35.7	HPC 329	R418000859	2.2	35	–	–	–
30	19	side	riveted directly	26.6	31.7	HPC 330 A	R418004413	2.06	25.5	–	–	1)
		side	riveted directly	26.6	31.7	HPC 330 A	R418009673	2.06	25.5	–	–	1)
	21	side	riveted	26.6	35.7	HPC 330 A	R418002604	2.2	25.5	–	–	–
		center	riveted	32.9	38.9	HPC 330	R418000468	2.41	35	R418014741	R418001206	–
35	22	side	riveted	31.3	40.4	HPC 335 A	R418002600	2.54	29.5	–	R418002601	–
40	25	side		36		HPC 340 A	R418000791	2.87	34		R418002596	–
		center	riveted	39.1	45.1	HPC 340	R418000469	2.84	45	–	R418002596	–
		center		39.1		HPC 340	R418002867	2.84	45		–	1)
45	29	center	riveted	45.4	51.4	HPC 345	R418000470	3.28	50	–	R418013016	–
50	33	center	riveted	51.6	57.6	HPC 350	R418000471	3.71	55	–	R418000952	–
60	37	center	riveted		63.9	HPC 360	R418009507	4.14	65		R418012628	–
	39	side	riveted directly	57.9	63	HPC 360 A	R418009677	4.23	55.5	–	–	1)
65	41	center	riveted	64.2	70.2	HPC 365	R418000472	4.58	70	–	R418001041	–
75	49	center	riveted	76.7	82.7	HPC 375	R418000473	5.45	80	–	R418001339	–
85	53	center	riveted	82.9	88.9	HPC 385	R418000475	5.88	90	–	R418014345	–
95	61	center	riveted	95.5	101.5	HPC 395	R418011016	6.77	100	–	R418011015	–
100	65	center	riveted	101.7	107.7	HPC 3100	R418000474	7.19	105	R418008239	R418013998	–
125	81	center	riveted	126.8	132.8	HPC 3125	R418011478	8.92	130	–	–	–
128	82	center	riveted	128.3	134.3	HPC 3128	R418005817	9.05	135	–	–	–
150	96	center	riveted	150	156	HPC 3150	R418001686	10.57	155	–	R418001687	2)

1) endless  
2) doubled center guide  
Number of rows = number of all links per joint

## Inverted tooth chain drives ▶ Inverted tooth chain drive, HPC series

### Inverted tooth chain drive, Series HPC

▶ 3/4" pitch = 19.05 mm



23044

Types of guides

Standard delivery

Number of links

Lubrication

Minimum number of teeth for the sprockets

Center guide

Side guide

open, with splint pin lock  
overall width  $bg + 3,5$  mm

Number of links equal to number of pitches.

For circulating chains, an even number of links must be used.

Uneven numbers of links are permitted only if the ends of the chain are connected to external parts.

Pay attention to correct lubrication.

17 teeth

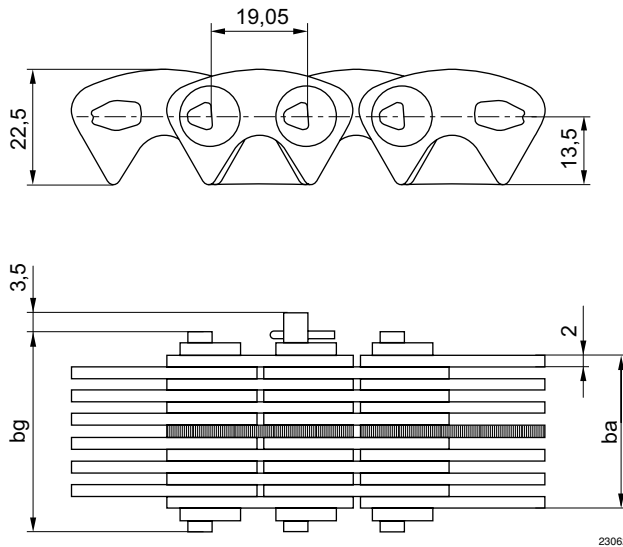
from 1 m/s  $\geq$  23 teeth

Further information can be found in the operating instructions.

#### Ordering information

- Please contact our sales department with the selected drawing number: [toothchain@aventics.com](mailto:toothchain@aventics.com). You will require approval for your initial selection.
- Other delivery types and nominal widths on request.

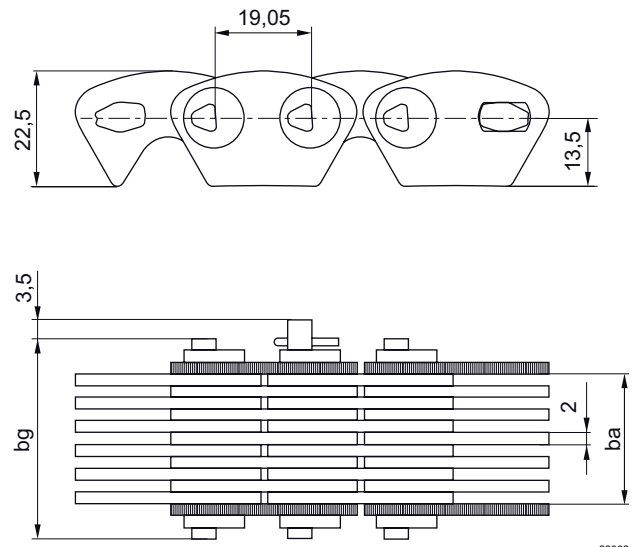
#### Dimensions in mm, Center guide



23062

Drawing as an example for a single center guide standard tooth chain.

#### Side guide



23063

Drawing as an example for a single side guide standard tooth chain.

Nominal width	Number of rows	Guide	Lock type	Working width $ba$	Total width $bg$	Designation	Drawing number			Rivet pin lock	Splint pin lock	Note
[mm]				[mm]	[mm]			[kg]	[mm]			
20	9	center	riveted	18.7	25.7	HPC 520	R418001632	2.25	25	-	R418001634	-
25	11	side	riveted	18.7	29.9	HPC 525 A	R418012550	2.76	17.5	-	R418012549	-
	13	center		27	34	HPC 525	R418000480	3.14	30	-	R418002086	-
30	15	side	riveted	27	38.2	HPC 530 A	R418001031	3.63	25	-	-	-
		center		35.4	42.4	HPC 535	R418009678					
35	17	center	riveted	35.4	42.4	HPC 535	R418000481	4.04	40	-	R418003491	-

1) endless

Number of rows = number of all links per joint

## Inverted tooth chain drive, Series HPC

► 3/4" pitch = 19.05 mm

Nominal width	Number of rows	Guide	Lock type	Working width ba	Total width bg	Designation	Drawing number			Rivet pin lock	Splint pin lock	Note
[mm]				[mm]	[mm]			[kg]	[mm]			
40	21	center	riveted	43.7	50.7	HPC 540	R418000483	4.93	50	–	R418006282	–
50	25	center	riveted	52	59	HPC 550	R418000484	5.83	55	R418011051	R418001230	–
65	33	center	riveted	68.6	75.6	HPC 565	R418000486	7.62	75	–	R418001450	–
70	33	side	riveted	64.5	75.6	HPC 570 A	R418015679	7.7	63	–	R418001450	–
75	37	center	riveted	77	84	HPC 575	R418002305	8.5	80	–	–	–
85	40	side	riveted	79	90.2	HPC 585 A	R418006457	9.27	76	–	R418006456	–
	41	center		85.3	92.3	HPC 585	R418000487	9.39	90	–	R418005765	–
90	43	side	riveted	85.3	96.4	HPC 590 A	R418011000	9.94	82	–	R418010999	–
95	45	center	riveted	93.6	100.6	HPC 595	R418009336	10.35	100	–	R418009335	–
100	49	center	riveted	101.9	108.9	HPC 5100	R418000489	11.18	105	–	R418001844	–
110	53	center	riveted	110.2	117.2	HPC 5110	R418011784	12.14	115	–	R418011783	–
120	57	center	riveted	118.6	125.6	HPC 5120	R418007711	13.04	125	–	R418007710	–
125	61	center	riveted	126.9	133.9	HPC 5125	R418000491	13.92	130	–	R418001446	–
150	73	side	riveted	147.7	158.8	HPC 5150 A	R418003148	16.6	142.5	–	–	–
		center		151.8		HPC 5150	R418000492	16.56	155	–	R418007476	–
175	85	center	riveted	176.8	183.8	HPC 5175	R418000795	19.24	180	–	–	–
180	86	side	riveted	174.7	185.9	HPC 5180 A	R418008540	19.58	169	–	R418008539	–
185	89	center	riveted	185.1	192.1	HPC 5185	R418013510	20.24	190	–	R418013509	–
200	97	center	riveted	201.8	208.8	HPC 5200	R418012496	22.01	205	–	R418012495	–
275	133	center	riveted	276.6	283.6	HPC 5275	R418007906	30.14	280	–	R418007905	–
350	169	center	riveted	351.5	358.5	HPC 5350	R418002174	38.25	355	–	R418002175	–
375	182	side	riveted	373.4	384.7	HPC 5375 A	R418003152	41.27	365	–	R418003151	–

1) endless

Number of rows = number of all links per joint



## Inverted tooth chain drives ▶ Inverted tooth chain drive, HPC series

### Inverted tooth chain drive, Series HPC

▶ 1" pitch = 25.4 mm



23044

Types of guides

Standard delivery

Number of links

Lubrication

Minimum number of teeth for the sprockets

Center guide

Side guide

open, with splint pin lock  
overall width  $bg + 4$  mm

Number of links equal to number of pitches.

For circulating chains, an even number of links must be used.

Uneven numbers of links are permitted only if the ends of the chain are connected to external parts.

Pay attention to correct lubrication.

19 teeth

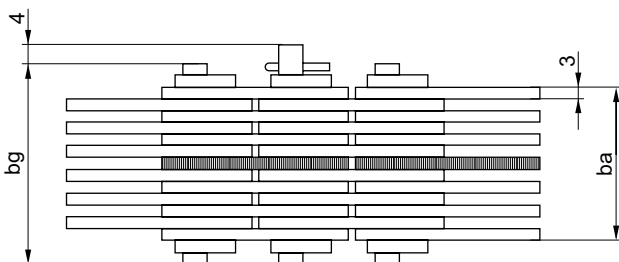
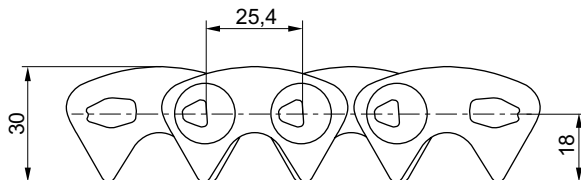
from 1 m/s  $\geq$  23 teeth

Further information can be found in the operating instructions.

#### Ordering information

- Please contact our sales department with the selected drawing number: [toothchain@aventics.com](mailto:toothchain@aventics.com). You will require approval for your initial selection.
- Other delivery types and nominal widths on request.

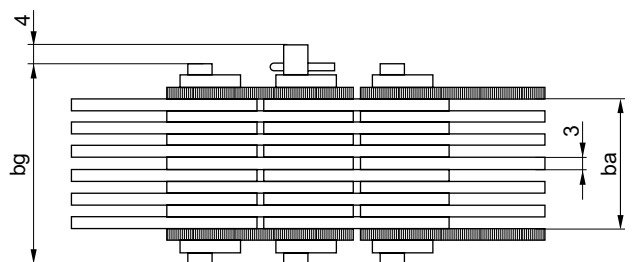
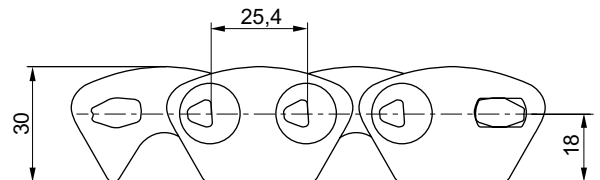
#### Dimensions in mm, Center guide



23064

Drawing as an example for a single center guide standard tooth chain.

#### Side guide



23065

Drawing as an example for a single side guide standard tooth chain.

Nominal width	Number of rows	Guide	Lock type	Working width $ba$	Total width $bg$	Designation	Drawing number			Rivet pin lock	Splint pin lock	Note
[mm]				[mm]	[mm]			[kg]	[mm]			
40	13	center	riveted	40.2	48.2	HPC 640	R418011764	6.26	45	–	R418011743	–
50	17	side	riveted	46.4	60.6	HPC 650 A	R418012782	8.16	44.5	–	R418011744	–
		center		52.6		HPC 650	R418011765	8.07	55			
65	21	center	riveted	65	73	HPC 665	R418011766	9.87	70	–	R418011745	–
75	25	center	riveted	77.4	85.4	HPC 675	R418011767	11.69	80	–	R418011746	–
90	29	center	riveted	89.8	97.8	HPC 690	R418012464	13.58	95	–	R418012467	–

Number of rows = number of all links per joint

**Inverted tooth chain drive, Series HPC**

▶ 1" pitch = 25.4 mm

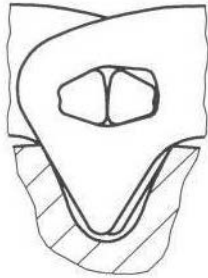
Nom- inal width	Num- ber of rows	Guide	Lock type	Work- ing width ba	Total width bg	Designation	Drawing number			Rivet pin lock	Splint pin lock	Note
[mm]				[mm]	[mm]			[kg]	[mm]			
100	33	center	riveted	102.1	110.1	HPC 6100	R418011768	15.29	105	–	R418011747	–
115	37	center	riveted	114.5	122.5	HPC 6115	R418013532	17.12	120	–	R418013531	–
125	41	center	riveted	126.9	134.9	HPC 6125	R418011769	18.94	130	–	R418011748	–
150	49	center	riveted	151.7	159.7	HPC 6150	R418011770	22.57	155	–	R418011749	–
165	53	center	riveted	164	172	HPC 6165	R418013671	24.34	170	–	R418013674	–
175	57	center	riveted	176.4	184.4	HPC 6175	R418014708	26.15	180	–	R418014707	–
200	65	center	riveted	201.2	209.2	HPC 6200	R418012810	29.76	205	–	R418012809	–
275	89	center	riveted	275.5	283.5	HPC 6275	R418014773	40.61	280	–	R418014772	–
350	113	center	riveted	349.7	357.7	HPC 6350	R418015140	51.46	355	–	R418015139	–

Number of rows = number of all links per joint

## Inverted tooth chain drives ▶ Inverted tooth chain drive, HPC series

### Inverted tooth chain drive, Series HPC

▶ 1 1/2" pitch = 38.1 mm



23044

Types of guides

Standard delivery

Number of links

Lubrication

Minimum number of teeth for the sprockets

Center guide

Side guide

open, with splint pin lock  
overall width  $bg + 6$  mm

Number of links equal to number of pitches.

For circulating chains, an even number of links must be used.

Uneven numbers of links are permitted only if the ends of the chain are connected to external parts.

Pay attention to correct lubrication.

19 teeth

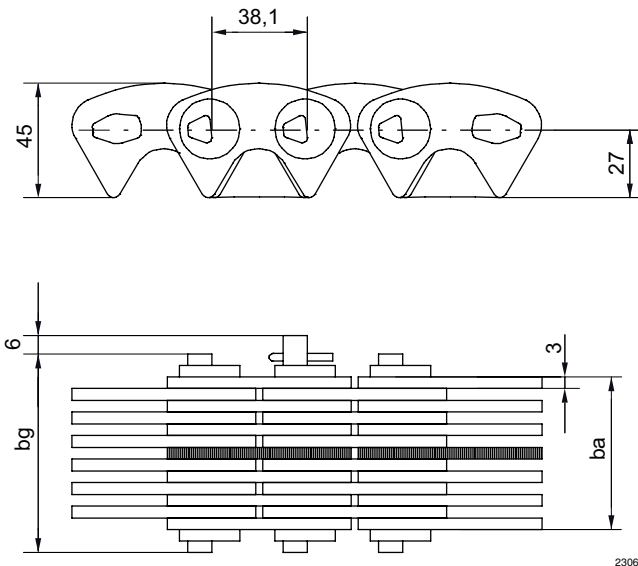
from 1 m/s  $\geq$  23 teeth

Further information can be found in the operating instructions.

#### Ordering information

- Please contact our sales department with the selected drawing number: [toothchain@aventics.com](mailto:toothchain@aventics.com). You will require approval for your initial selection.
- Other delivery types and nominal widths on request.

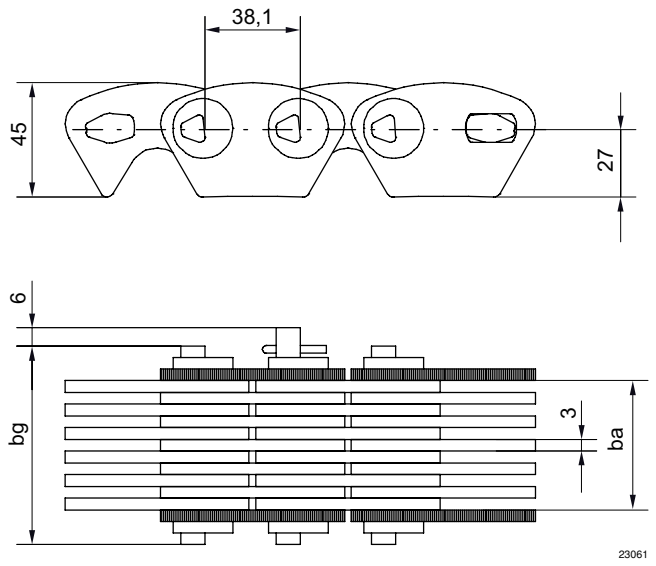
#### Dimensions in mm, Center guide



23060

Drawing as an example for a single center guide standard tooth chain.

#### Side guide



23061

Drawing as an example for a single side guide standard tooth chain.

Nominal width	Number of rows	Guide	Lock type	Working width ba	Total width bg	Designation	Drawing number			Rivet pin lock	Splint pin lock	Note
[mm]				[mm]	[mm]			[kg]	[mm]			
40	13	center	riveted	40.4	52.4	HPC 840	R418001364	9.49	50	-	R418001438	-
50	17	center	riveted	52.8	64.8	HPC 850	R418003051	12.4	60	-	R418003050	-
65	21	center	riveted	65.2	77.2	HPC 865	R418004865	14.05	75	-	R418004866	-
75	25	center	riveted	77.6	89.6	HPC 875	R418007604	17.55	85	-	R418007603	-
85	27	side	riveted	77.6	95.8	HPC 885 A	R418009300	18.96	74	-	R418009299	-
90	29	center	riveted	90	102	HPC 890	R418008495	20.22	100	-	R418008498	-

Number of rows = number of all links per joint

**Inverted tooth chain drive, Series HPC**

▶ 1 1/2" pitch = 38.1 mm

Nom- inal width	Num- ber of rows	Guide	Lock type	Work- ing width ba	Total width bg	Designation	Drawing number			Rivet pin lock	Splint pin lock	Note
[mm]				[mm]	[mm]			[kg]	[mm]			
100	33	center	riveted	102.5	114.5	HPC 8100	R418005030	22.92	110	–	R418005034	–
115	37	center	riveted	114.9	126.9	HPC 8115	R418009026	25.58	125	–	R418009025	–
125	41	side	riveted	121.1	139.3	HPC 8125 A	R418013192	28.3	117	–	R418007376	–
		center		127.3		HPC8125	R418007377	28.18	135			
150	49	center	riveted	152.1	164.1	HPC 8150	R418003055	34.08	160	–	R418003054	–
175	57	center	riveted	177	189	HPC 8175	R418005674	38.93	185	–	R418005673	–
200	65	side	riveted	195.6	213.8	HPC 8200 A	R418014032	44.35	190	R418013580	R418010057	–
		center		201.8		HPC 8200	R418010058	44.23	210			
230	73	center	riveted	226.7	238.7	HPC 8230	R418008335	49.73	240	–	R418008334	–
250	81	center	riveted	251.5	263.5	HPC 8250	R418015854	54.95	260	–	R418015853	–
285	93	center	riveted	288.8	300.8	HPC 8285	R418012191	62.39	295	–	R418012190	–

Number of rows = number of all links per joint

Aventics GmbH  
Tooth Chain Drive Technology  
Ulmer Straße 4  
30880 Laatzen  
Phone +49 511 2136-0  
Fax +49 511 2136-269  
[www.aventics.com](http://www.aventics.com)  
[toothchain@aventics.com](mailto:toothchain@aventics.com)

Find more contact information at  
[www.aventics.com/contact](http://www.aventics.com/contact)

# AVENTICS

The specified data serve only to describe the product. No statements concerning a certain condition or suitability for a certain application can be derived from our information. The information given does not release the user from the obligation of own judgment and verification. It must be remembered that our products are subject to a natural process of wear and aging.

06-06-2014

An example configuration is depicted on the title page. The delivered product may thus vary from that in the illustration. Subject to change. © AVENTICS S.a.r.l.. This document, as well as the data, specifications and other information set forth in it, are the exclusive property of AVENTICS S.à.r.l.. It may not be reproduced or given to third parties without its consent. PDF online

**Rexroth**  
Pneumatics